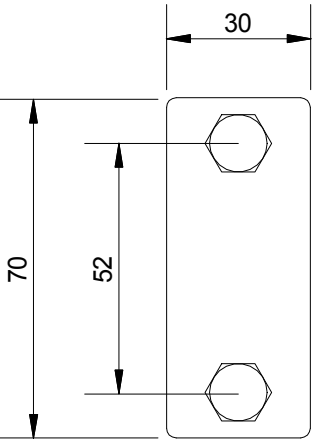


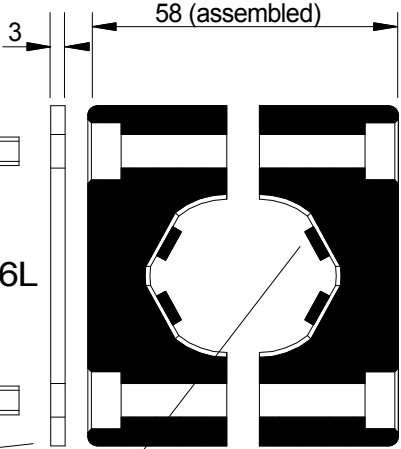
Perfluoroproyl-Perfluorvinylether..[PPVO]
Clamp Body



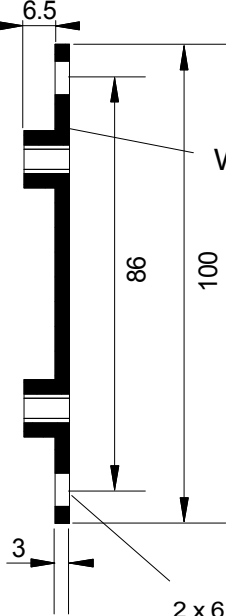
Cover Plate 316L

2 x M6 Hex Bolts 316L

2 x M6 Hex Bolts 316L



Integrated Anti-Corrosion Elastomer strips



Weld Plate 316L

2 x 6.5mm Mounting Holes

SCALE
NTS
FINISH

MATERIAL AND SPECIFICATION

ALL DIMENSIONS ARE IN MILLIMETERS
UNLESS OTHERWISE STATED
TOLERANCES UNLESS OTHERWISE STATED
+/- 0.1
ANG +/- 2

| | |
|---------|----------|
| ISSUE | A |
| DATE | 03-05-19 |
| TCR | |
| DRAWN | MU |
| CHECKED | |



INSTRUMENTATION LTD

PART OF THE GROUP

TITLE
APT Internal
Fixing Clamp Assembly

Datasheets
APT500 DAT054 / APT1000 DAT57

DRAWING No
S-001476-APT-DD

SALES DRAWING ONLY

SHT 1
OF 1

A4